

# Adkins Labelling Solutions

## for Nursing and Residential Care Homes

Rev A - 24/08/18



## Beta 'Swift' Heat Press

---

## Operators Manual

**ADKINS**

Adkins Labelling Solutions

# Copyrights

---

©2018, **Adkins Labelling Solutions**, High Cross, Lancaster Road, Hinckley, Leicestershire. No part of this publication may be reproduced by any means without the prior written permission of Adkins Labelling Solutions

Adkins Beta Swift is a registered trademark of Adkins Labelling Solutions.

Please read this manual carefully and keep it with your machine at all times for reference.

---

# Preface

---

## Dear User

**Welcome to the growing group** of Adkins Beta Swift users. The product you have purchased has been carefully designed and manufactured to ensure that you, the user, will gain the maximum benefit.

**All Adkins products** are specifically designed to ensure ease of use with particular attention to safety requirements.

**Should you discover any fault** or damage upon receipt of this product, you should immediately contact your supplier.

---

# Contents

---

<b>1.</b>	<b>Introduction Beta Swift</b>	<b>1</b>
1.1	What did you receive?	2
1.2	Specifications of the Beta Swift	3
1.3	Safety	4
1.4	Safety tips	4
<b>2.</b>	<b>Installation</b>	<b>6</b>
2.1	Transport instructions	6
2.2	Installing the machine	6
2.3	Electrical requirements	6
<b>3.</b>	<b>How to operate the Beta Swift</b>	<b>8</b>
3.1	Starting with the Beta Swift	8
3.2	Applying Adkins Laundry Labels	8
3.3	Pressing pad assembly	8
3.4	Shutting down the machine	9
3.5	Fault diagnosis	9
<b>4.</b>	<b>Maintenance of the Machine</b>	<b>10</b>
4.1	Daily maintenance	10
4.2	Periodic maintenance	10
4.3	Cleaning	10
<b>5.</b>	<b>Machine Drawings, Diagrams and Declaration</b>	<b>11</b>
5.1	General layout	12
5.2	Control unit operation	13
5.3	Exploded diagram and parts list	14
5.4	Machine electrical diagram	15
5.5	Controller electrical diagram	16
<b>6.</b>	<b>Design Change</b>	<b>17</b>
<b>7.</b>	<b>Guarantee (Limited Warranty)</b>	<b>18</b>
	<b>Declaration of Conformity</b>	<b>19</b>

---

# 1. Introduction Beta Swift Press

---

**Initially designed for use** in the laundry industry, the Beta Swift has now been developed for more wide ranging use.

**Featuring a strong,** light, aluminium construction, the Swift is fitted with self-aligning spring mounted silicone pressure pad to ensure correct pressure and an audible buzzer on the timer mechanism. The simple, robust machine is powered by a microprocessor for control of both heat and dwell accuracy and ease of operation and requires minimal operating space.

**Each Swift Press** is produced in one version, nominally 230-240 VAC for the European market.

## 1.1 What did you receive?

---

**The Beta Swift has been** placed in a box and held in place with foam. The following articles should have been delivered:

- Beta Swift complete with mains cable and plug.
- Beta Swift Operators Manual.
- Any extra items ordered.

**If there is any damage** or any article is missing, please contact your supplier immediately.

## 1.2 Specifications of the Beta Swift

---

**The Beta Swift is a manually operated** heat press for transfer printing and material fusing. It is ideal for medium volume production.

### Specifications

Power consumption	0.5kW
Power supply	230-240 Volts AC
Working temperature	70-235°C
Machine height open	61 cm (24 in)
Machine height closed	28 cm (11 in)
Machine width	23 cm (9 in)
Machine depth	47 cm (18.5 in)
Net weight	10 kg (22 lbs.)
Press pad dimensions	13.5 x 9.5 cm (5.25 in x 3.75 in)
Fuses	10 A
A-weighted noise level	<70dB (A)

### 1.3 Safety

---

**The Beta Swift has been equipped** with various safety features to ensure operator safety.

- a. **A thermal cut-out** on the heating element shuts off the power to the element if the temperature exceeds  $235^{\circ}\text{C} \pm 15^{\circ}\text{C}$  ( $455^{\circ}\text{F} \pm 27^{\circ}\text{F}$ ).
- b. **The time/temperature** controller has a built in facility giving error messages in the event of faults with the element heating and control system.

### 1.4 Safety Tips

---

**Our customer service department** has its own service engineers and, if required, maintenance and advice is available upon request.

- ◆ **The Beta Swift** meets the European Legislation standard. Under normal conditions accidents are rare. However listed below are some practical points to ensure your safety.
    - **Always** using both hands on the handle when pressing will ensure safety.
    - **Always switch off** and isolate the mains supply (i.e. remove plug) before undertaking any maintenance work.
    - **Keep other people** away from the machine during use.
    - **Ensure that there is** sufficient space around the machine. Cables and connections must not get jammed. Although the heat radiation of the press is low, there should be enough space for cooling down.
    - **Avoid contact** with the press element.
  - ◆ **DO NOT REMOVE THE BASE BOARD, CONTROLLER OR INSULATION COVER UNLESS QUALIFIED TO DO SO** - touching internal parts is dangerous and may cause shock hazard. All electrical connections inside covers are live. Never operate Press with any covers and/or guards removed.
  - ◆ **PROTECT THE MAINS CABLE** - damage to the mains cable may cause fire or shock hazard. When unplugging, hold by the plug only and remove carefully. Take care that the mains cable does not come into contact with the heat plate (or moving parts of the mechanism) during operation of the machine.
-



## Safety Tips (cont.)

---

- ◆ **OPERATING AMBIENT TEMPERATURE RANGE** - the operating ambient temperature range is 0°C - 35°C, (32°F - 104°F) and humidity of 20 - 80%. This heat press is fitted with a thermal cut out to ensure that it cannot operate above 235°C ± 15°C (455°F ± 27°F).
- ◆ **MACHINE FUSES** - type: ultra-rapid (FF) fuses 31.75 mm (1.25 in). 230 VAC max 3.15 A.
- ◆ **WARNING - THIS APPARATUS MUST BE EARTHED (GROUNDED).**
- ◆ **CAUTION**  
This machine gets hot whilst operating. Take care not to touch any surfaces that are labelled "Caution this plate is HOT".
- ◆ **MACHINE OPERATION**  
**Only suitably trained personnel should operate this machine.**  
**This machine is designed to be operated by one operator only.**  
**Do not** allow the handle to move upwards, by the effect of the spring, use both hands to control movement.  
**Keep Fingers** away from the **trapping points** in the arm-lever toggle mechanism.  
**Contact** your print media suppliers to ascertain whether **fumes** are given off during the process, and if so what precautions are needed for operator safety. These may include **air extraction** and / or masks for personnel.

**Please refer to page 12 for an illustration of the Beta Swift machine.**

## 2. Installation

---

### 2.1 Transport instructions

---

**The machine comes to you** in a box. If you have to transport the machine at any time it is recommended that you use a similar box and packing methods. Please let the machine cool down and lower the handle to the locked position.

### 2.2 Installing the machine

---

**2.2.1 Remove all packaging** from the heat press.

**2.2.2 Check to ensure** that no damage has been caused to the machine during transit. **The machine is light enough for handling by one person**

**2.2.3 Place the machine** on a sturdy horizontal surface that is within easy reach of the operator and allow space for the handle to move up to the loading position. Ensure that no items vulnerable to heat radiation are too close to the machine and that local lighting is adequate.

### 2.3 Electrical requirements

---

**The Beta Swift Press should** be connected to the mains supply, (nominally 230VAC for the European Market or 110VAC for America) by the mains cable provided and a suitable plug. A qualified person should carry out this work.

**The press is designed** for 230-240 VAC  $\pm$  50/60 hertz and requires exclusive use of a power outlet rated for at least 8 amps (Europe).

**Ensure that** the supply rating on the machine specification plate corresponds with your local supply and that the correct plug is fitted.

#### **MAINS LEAD**

**The wires** in this mains lead are coloured in accordance with the following code:

230 VAC	{	<b>Green and Yellow:</b>	<b>EARTH</b>
		<b>Blue:</b>	<b>NEUTRAL</b>
		<b>Brown:</b>	<b>LIVE</b>

## Electrical requirements (cont.)

---

As the colours of the wires in the mains lead of this apparatus may not correspond with the coloured markings identifying the terminals in your plug, proceed as follows:-

1. **The wire coloured green and yellow** must be connected to the terminal in the plug, which is marked by the letter E, or by the safety earth symbol coloured green, or green and yellow.
2. **The wire coloured blue** must be connected to the terminal, which is marked with the letter N, (Neutral connector).
3. **The wire coloured brown** must be connected to the terminal, which is marked with the letter L, (Live connector).

**NOTE:**

**Replacement of the mains cable** must be done by a competent service engineer.

### HEATING ELEMENTS

**The heating elements** fitted to these presses are rated at 500 Watts.

**Never connect** to any outlet or power supply having a different voltage/frequency from that on the machine data plate.

## 3. How to Operate the Beta Swift

---

### 3.1 Starting with the Beta Swift

---

#### 3.1.1 Plug into your supply outlet and switch supply on.

**N.B.** Please ensure the mains plug is easily accessible to the operator so that in the event of a fault the machine can be unplugged.

#### 3.1.2 Turn on the Beta Swift; the on/off switch is to the right of the controller. When the set temperature is steady in the display the machine is ready to use.

### 3.2 Applying Adkins Laundry Labels

---

#### 3.2.1 **The Beta Swift Heat Press** is pre-set with a temperature of 200°C and a time of 12 sec. (A label is affixed to the front of the press with these settings)

**N.B.**

**If either of the above is not the case** please refer to **Page 13 - Control Unit Operation**, and programme using the settings above

#### 3.2.2 Place the garment on the pressure pad, removing all wrinkles.

#### 3.2.3 Place the label in the desired position.

#### 3.2.4 Using both hands gently pull the handle forward into the locked position, ensuring the work piece is firmly clamped between the heat plate and pressure pad.

#### 3.2.5 When the pre-set dwell time has been reached, a buzzer will sound. The heat plate should then be lifted by pushing the handle back to its full extent, again using both hands.

#### 3.2.6 For safety reasons, it is necessary to push the handle into the locked position after it is lifted. This will ensure the accidental lowering of the heat platen handle.

### 3.3 Pressing Pad Assembly

---

The pressing pad normally supplied with this machine is silicone

---

## Pressing Pad Assembly (cont.)

---

rubber. The pressing pad must be maintained in good condition at all times and replaced when showing signs of wear. A worn pressing pad will always affect the quality of printing/fusing. Do not insert items into the machine, which would tend to cut the pressing pad, i.e. buttons, pins, press-studs or zips.

**Never allow** the hot heat plate to rest on the pressing pad when the press is not being used as the pad may be damaged.

### **IMPORTANT NOTE:**

**The pressing pad** supplied with the machine is of the correct thickness. Using a thicker pad may invalidate your warranty.

## 3.4 Shutting Down

---

**To shut down the machine**, turn off the green illuminated rocker switch to the right of the controller. The handle should be in the up position.

## 3.5 Fault Diagnosis

---

**This machine** has a built in fault diagnosis. The display may show the following:

- 1. H-F**  
**If the element** of the heat press, or the thermal cut-out go open circuit, after approximately 20 minutes the display will show “H-F” and a buzzer will sound. If this display is seen, contact your machine supplier immediately.
- 2. P-F**  
**If the probe** goes open circuit, the display will show “P-F” immediately and a buzzer will sound. Contact your machine supplier immediately.

### **CAUTION**

**In all fault conditions** switch off the power to the machine and unplug the machine from the electrical supply before contacting your machine supplier.

## 4. Maintenance of the Machine

---

### 4.1 Daily Maintenance

---

**For good press results** it is important to keep the press surfaces clean. Wipe the surface of the heat plate with a dry non-abrasive cloth before use when the plate is cold.

When heat plates are hot and not in use, keep open position away from the silicone pad.

### 4.2 Periodic Maintenance

---

**Put a few drops of oil** onto the various pivot pins every three months.

Periodically clean the Teflon® coated heat platen with a non-abrasive piece of cloth. Stubborn stains may be cleaned, when platen is cool, with mineral.

### 4.3 Cleaning

---

**First unplug the machine.** Clean the outside of the machine frequently with a clean, moist cloth. This may conveniently be carried out when the machine is cold.

To prevent soiling of substrate, periodic wiping of entire exterior machine, including platens, with a clean rag is recommended. If necessary, use mineral spirits for cleaning a cold machine. Since mineral spirits are flammable, use precautions at all times and keep away from sparks, flames or hot heat platen.

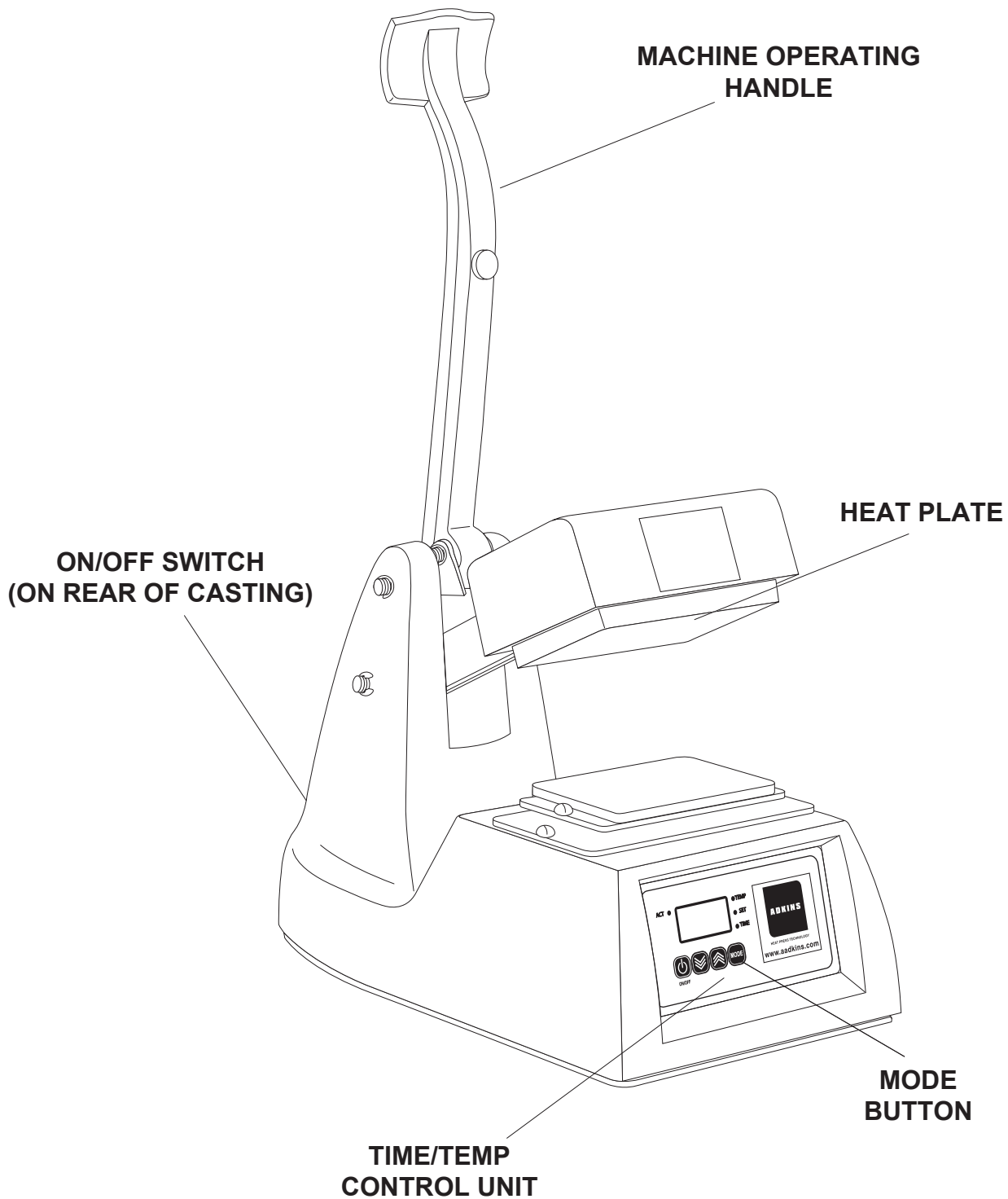
## **5. Machine Drawings and Diagrams**

---

On the following pages are the schematic diagrams for the Beta Swift machine.

- 5.1 General Layout..... Page 12**
- 5.2 Control Unit – Operation..... Page 13**
- 5.3 Exploded Diagram and Parts List..... Page 14**
- 5.4 Machine Electrical Diagram..... Page 15**
- 5.5 Controller Electrical Diagram..... Page 16**

## 5.1 General Layout of the Beta Swift Press





## 5.2 Operation Of Control Unit, Setting Time and Temperature

(The head must always be in the up position before the controller is set)



### Setting Temperature

1. Switch on Press; Display and 'TEMP' indicator will light up.
2. Press 'MODE' button to select 'Set' on indicator.
3. The Display will start flashing.
4. Use the 'UP' and 'DOWN' arrow buttons to set the required temperature.
5. When you have set the required temperature the Display will stop flashing and the 'SET' indicator will go out.
6. Press the 'ON/OFF' button to start the Press heating to the selected temperature. The 'ACT' indicator will light up.

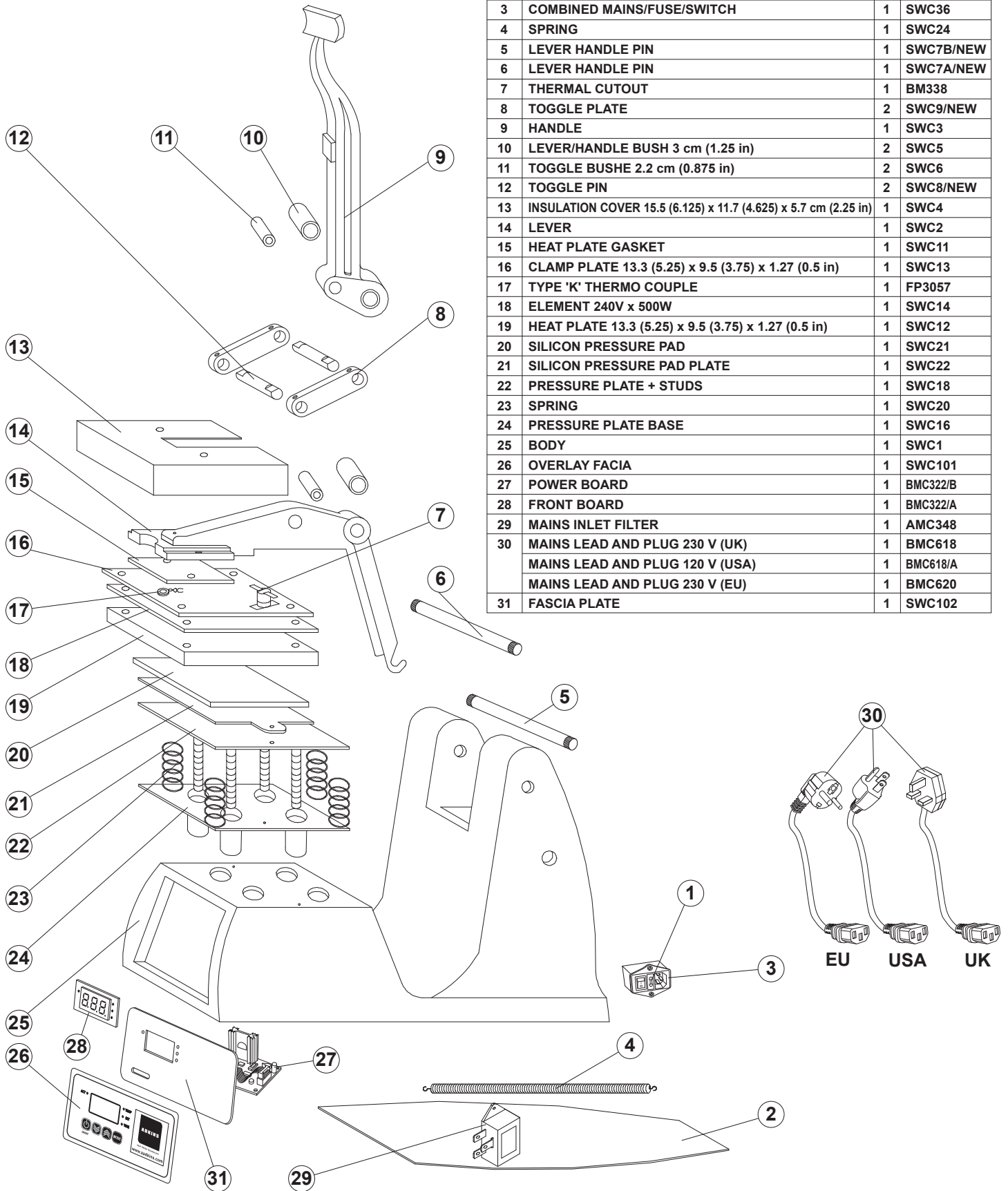


### Setting Time

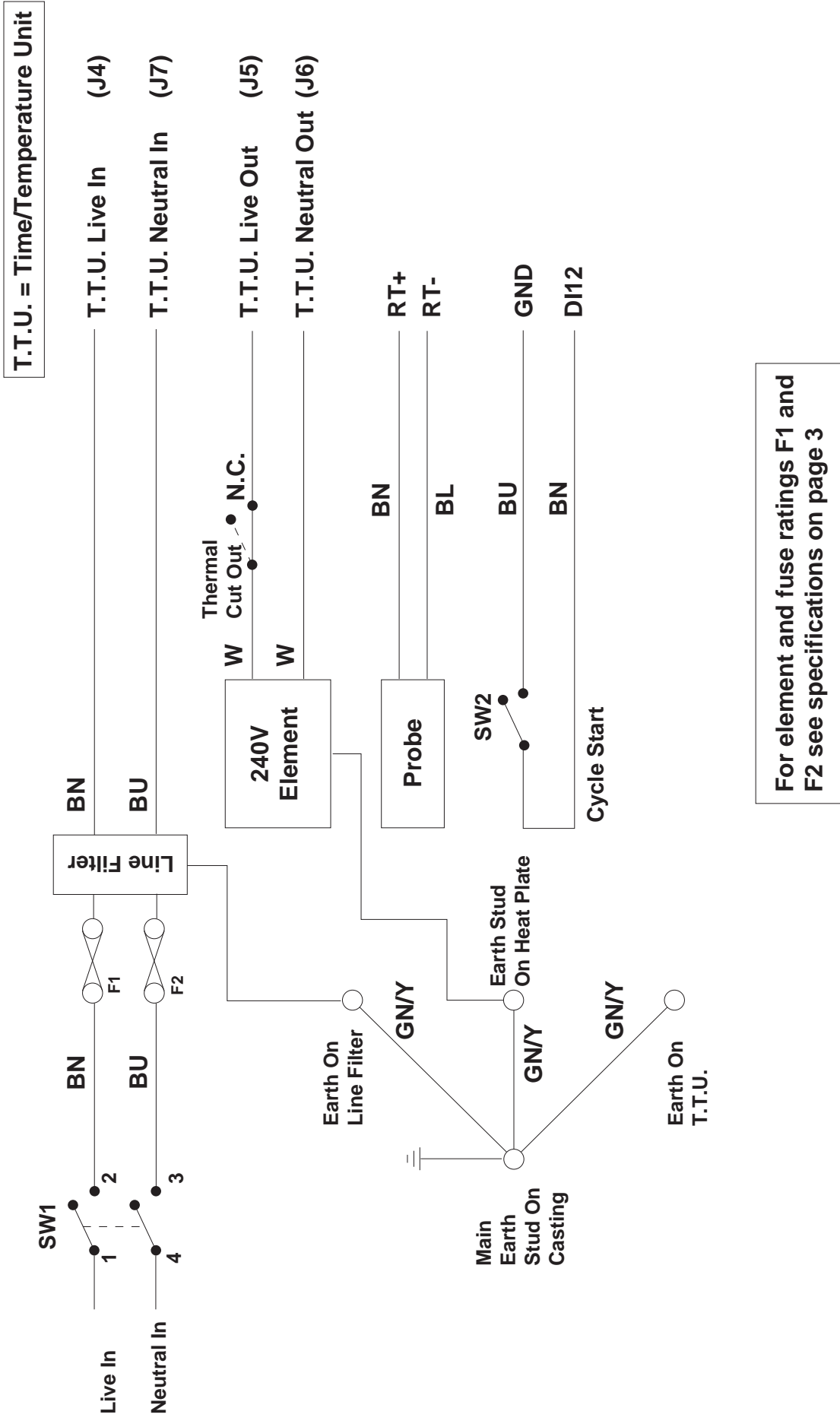
1. Switch on Press; Display and 'TEMP' indicator will light up.
2. Press 'MODE' button twice to select 'SET' and 'TIME' on indicator.
3. The display will start to flash.
4. Use the 'UP' and 'DOWN' arrow buttons to set the required time.
5. When you have selected the required time the Display will stop flashing and the 'SET' and 'TIME' indicators will go out.
6. Press the 'ON/OFF' button to start the Press. The 'ACT' indicator will light up.

## 5.3 Exploded Diagram and Parts List

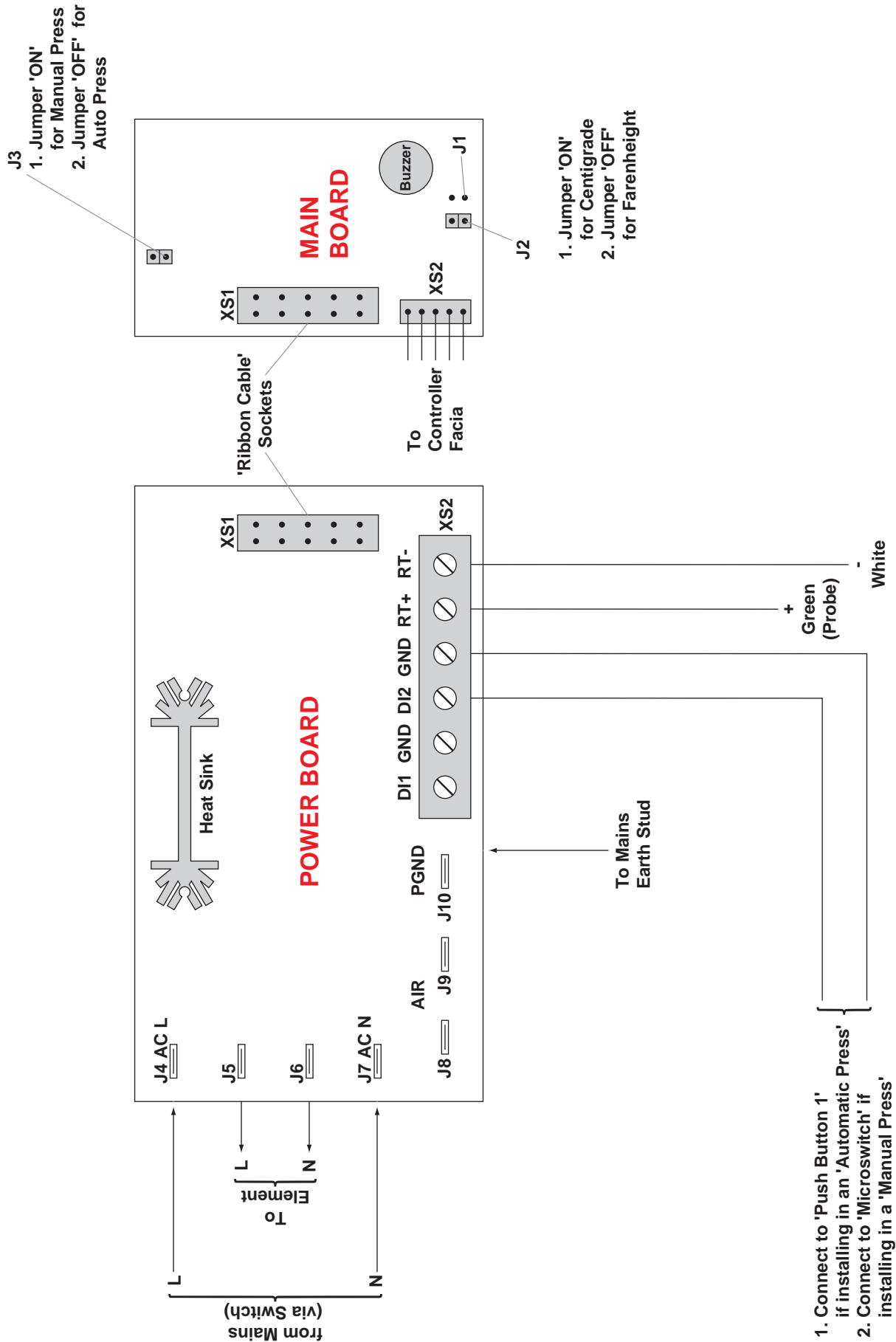
ITEM	DESCRIPTION	QU.	PIN No.
1	20 mm FUSE (3.15 A)	1	SWC51
2	BASE BOARD	1	SWC32
3	COMBINED MAINS/FUSE/SWITCH	1	SWC36
4	SPRING	1	SWC24
5	LEVER HANDLE PIN	1	SWC7B/NEW
6	LEVER HANDLE PIN	1	SWC7A/NEW
7	THERMAL CUTOUT	1	BM338
8	TOGGLE PLATE	2	SWC9/NEW
9	HANDLE	1	SWC3
10	LEVER/HANDLE BUSH 3 cm (1.25 in)	2	SWC5
11	TOGGLE BUSHE 2.2 cm (0.875 in)	2	SWC6
12	TOGGLE PIN	2	SWC8/NEW
13	INSULATION COVER 15.5 (6.125) x 11.7 (4.625) x 5.7 cm (2.25 in)	1	SWC4
14	LEVER	1	SWC2
15	HEAT PLATE GASKET	1	SWC11
16	CLAMP PLATE 13.3 (5.25) x 9.5 (3.75) x 1.27 (0.5 in)	1	SWC13
17	TYPE 'K' THERMO COUPLE	1	FP3057
18	ELEMENT 240V x 500W	1	SWC14
19	HEAT PLATE 13.3 (5.25) x 9.5 (3.75) x 1.27 (0.5 in)	1	SWC12
20	SILICON PRESSURE PAD	1	SWC21
21	SILICON PRESSURE PAD PLATE	1	SWC22
22	PRESSURE PLATE + STUDS	1	SWC18
23	SPRING	1	SWC20
24	PRESSURE PLATE BASE	1	SWC16
25	BODY	1	SWC1
26	OVERLAY FACIA	1	SWC101
27	POWER BOARD	1	BMC322/B
28	FRONT BOARD	1	BMC322/A
29	MAINS INLET FILTER	1	AMC348
30	MAINS LEAD AND PLUG 230 V (UK)	1	BMC618
	MAINS LEAD AND PLUG 120 V (USA)	1	BMC618/A
	MAINS LEAD AND PLUG 230 V (EU)	1	BMC620
31	FASCIA PLATE	1	SWC102



## 5.4 Electrical Diagram



# 5.5 Controller Electrical Diagram



## 6. Design Change

---

**With the policy of constant improvement** and/or modification to meet changing conditions, the right is reserved to change the design and/or specifications at any time without prior notification, and therefore specifications may vary and not be in accordance with this manual.

## 7. Guarantee (Limited Warranty)

---

**Adkins Labelling Solutions** warrants that the press is free from defects in material and workmanship for a period of 12 months from the date of supply to the customer. The machine comes with a one year warranty on parts and 90 days labour.

**This warranty covers** all parts to repair the defects, except when damage results from misuse or abuse, accident, alteration or negligence or when a machine has been improperly installed.

**If a press covered by warranty** should need to be returned to the factory for examination and repair, if on-site component replacement is not possible, Adkins Labelling Solutions will make every effort to repair the customers press. The warranty will only be effective when Adkins Labelling Solutions authorises the original purchaser to return the machine to the factory and only when the product upon examination has proven to be defective.

**Should in our opinion** any part of this press be defective in materials or workmanship, it will be replaced or repaired free of charge, provided that the press has been installed and operated in the correct manner and not subjected to misuse. If Adkins Labelling Solutions authorise a replacement press, the warranty of the replacement press shall expire on the anniversary date of the original machines invoice to the customer.

**In order for this warranty to be effective**, no return of machine or parts may be made without prior factory authorisation. (This will exclude any travelling and/or carriage costs which will be charged at our discretion).

**This is the sole warranty given by the company**; there are no warranties, which extend beyond the description on the face hereof. The seller disclaims any implied warranty of merchantability and/or any implied warranty of fitness for a particular purpose; the buyer agrees that the goods are sold "as is". Adkins Labelling Solutions does not warrant that the functions of the press will meet the customer's requirements or expectations. The entire risk as to use, quality and performance of the press lies with the customer. (No claim of any kind shall be greater than the sale price of the product or part to which the claim is made).

**In no event will Adkins Labelling Solutions** be liable for any injury, loss or damage, including loss of profits, destruction of goods or any special, incidental, consequential or indirect damages arising from the use of the press or accompanying materials. This limitation will apply even if Adkins Labelling Solutions or its authorised agent had been advised of the possibility of such damage.

