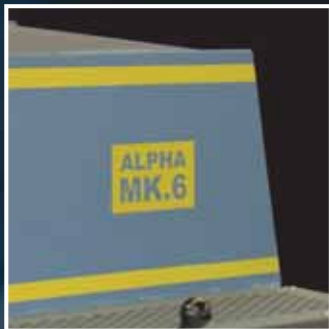


The Future of Heat press technology...

ADKINS



Alpha
Mk. 6
Industrial
Heat press



operators handbook

ADKINS

HEAT PRESS TECHNOLOGY

Copyrights

©2013, **A. Adkins & Sons Limited**, High Cross, Lancaster Road, Hinckley, Leicestershire. No part of this publication may be reproduced by any means without the prior written permission of A. Adkins & Sons Limited.

Alpha Mk. 6 Industrial Transfer Press is a registered trademark of A. Adkins & Sons Limited.

Please read this manual carefully and keep it with your machine at all times for reference.

Preface

Dear User

Welcome to the growing group of Alpha Mk. 6 Industrial Transfer Press users. The product you have purchased has been carefully designed and manufactured to ensure that you, the user, will gain the maximum benefit.

All A. Adkins products are specifically designed to ensure ease of use with particular attention to safety requirements.

Should you discover any fault or damage upon receipt of this product, you should immediately contact your supplier.

Contents

1.	Introduction Alpha Mk. 6 Press	1
1.1	What Did You Receive?	2
1.2	Specifications of the Alpha Mk. 6 Press	3
1.3	Safety	4
1.4	Safety Tips	4
1.5	The Possibility to Defeat or Circumvent Safety Measures	5
2.	Installation	7
2.1	Pre-installation Instructions	7
2.2	Pre-installation Electrical Requirements	7
2.3	Pre-installation Compressed Air Requirements	8
2.4	Installing the Machine	8
2.5	Electrical Requirements	8
2.6	Pneumatic Requirements	8
2.7	Adjusting the Pressure	9
3.	How to operate the Alpha Mk. 6 Press	10
3.1	Starting with the Alpha Mk. 6 Press	10
3.2	Working with Heat Transfer Materials	10
3.3	Material Fusing	11
3.4	Pressing Pad Assembly	12
3.5	Shutting Down the Machine	12
3.6	Hints and Tips	13
4.	Maintenance of the Machine	14
4.1	Daily Maintenance	14
4.2	Weekly Maintenance	14
4.3	Cleaning	14
5.	Machine Drawings, Diagrams and Declaration	15
5.1	General Layout	16
5.2	Control Unit Operation	17
5.3	Exploded Diagram and Parts List	18
5.4	Machine Electrical Schematic	19
5.5	Pneumatic Schematic	20
5.6	Machine Block Diagram	21
6.	Design Change	22
7.	Guarantee	23
	Declaration of Conformity	24

1. Introduction Alpha Mk. 6 Press

The Alpha Mk. 6 Press is a pneumatically operated heat press for transfer printing and material fusing. It is ideal for high volume production with low operator fatigue.

The work area of the Alpha Mk. 6 Press is 137 x 76 cm (54 x 30 in).

The Alpha Mk. 6 Press is operated such that in the normal 'stand-by' mode the heat plate is retained in the elevated position by compressed air applied to the appropriate ports of two double acting cylinders. When the sliding table is positioned correctly to align the work under the heat plate, the guard flap is manually closed. Micro switches detect the closure of the flap and initiate the automatic pressing sequence by applying power to the digital timer, which in turn activates the pneumatic solenoid valve. Air is now applied to the other cylinder ports, forcing the heat plate onto the table. After expiry of the pre-set time, the solenoid valve is de-activated and the cylinders return the heat plate to its elevated position.

The Alpha Mk. 6 Press is produced nominally in 380-440 VAC for the European market.

1.1 What Did You Receive?

The Alpha Mk. 6 Press has been placed in a crate and banded onto a pallet, for safe transportation. The following articles should have been delivered:

- Alpha Mk. 6 Press.
- Alpha Mk. 6 Press Users' Handbook.
- Any extra items ordered.

If there is any damage or any article is missing, please contact your supplier immediately.

1.2 Specifications of the Alpha Mk. 6 Press

The Alpha Mk. 6 Press is a pneumatically operated heat press for transfer printing and material fusing. It is ideal for high volume production with low operator fatigue.

The work area of the Alpha Mk. 6 Press is 137 x 76 cm (54 x 30 in).

Specification

European Machine

Power consumption	7500 Watts
Power supply	3 Phase (Neutral + Earth) 380-440 Volts AC
Display Timer Range	0 – 999 min
Compressed air supply	7 bar max
Compressed air consumption	60 litres/min
Working temperature	50-250°C
Machine height	147 cm
Machine width	175 cm
Machine depth	96 cm
Work area required	186 x 175 x 147 cm
Weight Export Packed	690 kg
Size export packed	190(L) x 103(W) x 158(H) cm
Net weight	510 kg
Press pad dimensions	137 x 76 cm
Fuses	20A
A-weighted noise level	<70dB(A)

1.3 Safety

The Alpha Mk. 6 Press has been equipped with various safety features to ensure operator safety.

- a. **A thermal cut-out** on the heating element shuts off the power to the element if the temperature exceeds $250^{\circ}\text{C} \pm 15^{\circ}\text{C}$ ($482^{\circ}\text{F} \pm 27^{\circ}\text{F}$).
- b. **Emergency stop buttons.**
- c. **The machine table** will only rise to pressing position when the heat plate is aligned with it due to a micro switch safety interlock.
- d. The machine is fitted with a bracket to allow for a **Fire Extinguisher** to be fitted to the machine, A Carbon Dioxide type is suitable.

1.4 Safety Tips

Our customer service department has its own service engineers and, if required, maintenance and advice is available upon request.

- ◆ **The Alpha Mk. 6 Press** meets the European Legislation standard. Under normal conditions accidents are rare. However listed below are some practical points to ensure your safety.
 - **Always switch off** and isolate air and mains supply (i.e. Remove plug) before undertaking any maintenance work. Always bear in mind that the machine could still be **hot** and **compressed air** may be stored in the machine's reservoir.
 - **Keep other people** away from the machine during use.
 - **Ensure that there is** sufficient space around the machine. Cables and connections must not get jammed. Although the heat radiation of the press is low, there should be enough space for cooling down.
 - **Avoid contact** with the press element.
 - ◆ **DO NOT REMOVE THE TOP COVER UNLESS QUALIFIED TO DO SO** - touching internal parts is dangerous and may cause shock hazard.
 - ◆ **PROTECT THE MAINS CABLE** - damage to the mains cable may cause fire or shock hazard. Take care that the mains cable does not come into contact with the heat plate (or moving parts of the mechanism) during operation of the machine.
 - ◆ **OPERATING AMBIENT TEMPERATURE RANGE** - the
-

Safety Tips (cont.)

operating ambient temperature range is 32°F - 104°F, (0°C - 35°C) and humidity of 20 - 80%. This heat press is fitted with a thermal cut out to ensure that it cannot operate above 250°C ± 15°C (482°F ± 27°F).

- ◆ **MACHINE FUSES** – 20 Amps.
- ◆ **WARNING - THIS APPARATUS MUST BE EARTHED (GROUNDED).**
- ◆ **CAUTION**
This machine gets hot whilst operating. Take care not to touch any surfaces that are labelled “Caution this plate is HOT”.
- ◆ **MACHINE OPERATION**
Only suitably trained personnel should operate this machine.

This machine is designed to be operated by one operator only.

If any hissing noises of pneumatic leaks occur the machine must be immediately shut down for investigation.

If the air pressure is lost the table will lower. The machine should be switched off immediately or the situation could arise of the table rising under power without the operator’s hands being safely removed.

Contact your print media suppliers to ascertain whether fumes are given off during the process, and if so what precautions are needed for operator safety. These may include air extraction and/or masks for personnel.

Please refer to Page 20 for an illustration of the Alpha Mk. 6 Press.

1.5 The Possibility to Defeat or Circumvent Safety Measures

The owner shall take account of the possibility and incentive to defeat or circumvent safety measures, for example:

- a) The safety measure slows down production, or interferes with any other activities or preferences of the user.
 - b) The safety measure is difficult to use.
 - c) Persons other than the operator are involved.
 - d) The safety measure is not recognised by the user or is not accepted as suitable for its function.
-

The Possibility to Defeat or Circumvent Safety Measures (cont.)

The machine has been factory tested to perform its normal function. The owner and operator **MUST ENSURE** that the machine is subject to neither malfunction nor malfunction, beyond the normal use of transfer printing fusing and in particular **ALL** of the safety measures outlined in this handbook and incorporated into the design of the machine shall not be over-ridden in any way.

2. Installation

2.1 Pre-Installation Instructions

The machine should be installed to supplier specifications and as such will require that certain pre-installation tasks should be met/performed prior to installation:

1. **The machine is designed for** use in a light industrial environment. The machine must be housed inside a building with a dry environment and it must not be exposed to the elements.
2. **The ambient operating temperature of the machine** is 10°C to 40°C, with a maximum humidity of 93%. The machine is capable of being operated correctly at altitudes of up to 2000 m above mean sea level.
3. **Building access should allow the machine** to be placed in its final position without dismantling the machine further. The largest assembly is the frame, which has an approximate weight 500 kg and the following dimensions; height 140 cm (55 in), width 175 cm (69 in) and depth 94 cm (38 in). The export packed weight is 690 kg.
4. **Personnel and suitable lifting equipment** should be made available to off load the machine from our delivery vehicle and move it to its working location i.e. fork lift truck, pallet truck etc.

2.1.1 ELECTRICAL AND PNEUMATIC WORK SHOULD BE UNDERTAKEN BY THE CUSTOMER PRIOR TO COMMISSIONING OF THE MACHINE:

It is the customer's responsibility to ensure that the machine is connected to the compressed air and a suitable electrical supply.

It is expected that air-line installation and wiring to the machine will be completed prior the agreed engineer's visit **BUT FOR SAFETY REASONS IT IS IMPORTANT** that supplies remain isolated and the machine is not operated before an engineer completes the commissioning procedure.

2.2 Pre-Installation Electrical Requirements

The Alpha Mk. 6 Press is designed to operate from a 380/440 VAC (50/60 Hz) 3 phase supply plus Neutral and Earth (marked up as P.E.).

Pre-Installation Electrical Requirements (cont.)

Nominal load current is 20 Amps per phase. The three phases may be connected by any sequence.

NB: The machine is **NOT** supplied with a mains supply cable. The customer or his agent should provide the mains supply cable. Termination is via a switched fuse box mounted on the main frame of the machine.

2.3 Pre-Installation Compressed Air Requirements

A **supply of compressed air** needs to be available continually. Maximum pressure supplied to the machine should be 7kg / sq. cm (100 P.S.I.). Typical consumption is 0.006 cu. m. (0.2 cu. ft.) per operation. Connection is via ½" bore hose to a pressure regulator assembly mounted on the main frame. The supply hose is provided by the customer or his agent and should be attached with two hose clips for safety.

2.4 Installing the Machine

The Alpha Mk. 6 Press should be set onto a solid foundation, packing feet where necessary to ensure that it is firm and level in all directions. The table support bars should be set by a skilled person prior to use of the machine to avoid printing/fusing problems.

2.5 Electrical Requirements

The Alpha Mk. 6 Press requires a 3 phase mains supply is connected to the machine via a switched fused isolating box.

NB. It is essential that this machine be connected to an effective electrical earth to ensure safety of users.

Supply requirements are as follows:

Voltage	Phase	Hz.	Nominal heating power	Nominal full load current = 18A
380-440 VAC	3	50-60	7.5 kW (3 elements 2.5 kW each)	10.5 A per phase

2.6 Pneumatic Requirements

A **permanent supply of compressed air** is required whilst the machine is in normal use. The air supply, not exceeding 100 P.S.I. (7 kg.sq.cm.)

Pneumatic Requirements (cont.)

is connected via a pressure regulator valve located on the main frame of the machine.

See 'Pneumatic Circuit diagram' in this Operator Handbook. Air consumption is approximately 0.006 cu. m. (0.2 cu. ft.) per operation.

2.7 Adjusting the Pressure

2.7.1 Turn on air supply to press and adjust pressure regulator screw until the gauge indicates the required level (minimum of 40 P.S.I. maximum 100 P.S.I.). **The pressure switch in the safety circuit is set to cut off the machine if the supply pressure drops below 40 P.S.I.**

N.B:

The pressure shown by the gauge determines the amount of pressure exerted by the heat plate during the printing/fusing operation, i.e. if less or more pressure is required; adjust the air pressure regulator adjusting screw accordingly.

2.7.2 RESTRICTOR VALVES

Restrictor valves have been fitted to the pneumatic cylinders – see 'Pneumatic Circuit'.

CAUTION:

To set Restrictor Valves, this must be done with guard removed. **EXTREME CAUTION** should be taken by Qualified Persons whilst making the adjustments. The guard should be refitted before using the machine.

DO NOT REMOVE THE ELECTRICAL HOUSING GUARD WHEN MAKING THIS ADJUSTMENT

These valves are adjustable and control the speed of approach and lift off of the heat plate from the pressing pad upon completion of the printing cycle. To adjust, unfasten locking nut on adjusting screw, turn adjusting screw clockwise to decrease speed anticlockwise to increase speed, tighten locking nut when desired speed is achieved.

Restrictor valves must also be set and balanced on each cylinder to ensure even movement of the heat plate to and from the pressing pad.

N.B.

Adjustment of the cylinder speed is essential to ensure that the transfer paper does not become dislodged during movement of the heat plate. It is advisable where possible to use transfer papers with 'tack' adhesive to reduce the possibility of displacement of the transfer paper during heat plate lift off.

3. How to Operate the Alpha Mk. 6 Press

3.1 Starting with the Alpha Mk. 6 Press

3.1.1 Turn on the Alpha Mk. 6 Press; the on/off switch is on the rear left hand side. Set the machine controls as necessary. See instructions for adjusting the pressure, **Paragraph 2.7**, and the operation of the time temperature unit, **Page 21**. When the set temperature is steady in the display the machine is ready to use.

3.2 Working with Heat Transfer Materials

3.2.1 Ascertain from the supplier of the transfer paper and/or the suppliers of the material, that the material to be used is suitable and has been prepared for transfer printing.

3.2.2 Obtain from the supplier of the transfer paper, or material to be used, the recommended temperature, time and pressure settings for the material to be worked on.

Approximate settings are usually within the following:-

180°C - 200°C (350°F - 400°F)	Heat Setting
10 - 30 seconds	Time Dwell Setting

3.2.3 Ensure heat controller/dwell timer/air pressure is correctly set as already described.

3.2.4 Pull out sliding table to full extent.

3.2.5 Lay a piece of plain paper onto table covering the whole area of the pressing pad covers – this prevents any surplus transfer print going through the material being printed and so marking the pressing pad covers.

3.2.6 Place material to be printed onto the plain paper on the pressing pad and lay transfer paper onto the material (print side down).

3.2.7 Push in the sliding table slowly to full extent, ensuring that the paper and the material are not displaced during this movement.

3.2.8 After pushing in the sliding table, lower the front hinged guard, using the two knobs provided. In the closed position

Working with Heat Transfer Materials (cont.)

the micro switches are made; the press will automatically lower the heat plate into the printing position for the set dwell-time, after which the heat plate will automatically rise to the 'up' position.

- 3.2.9 **The guard flap is manually raised**, when the table may be withdrawn to the unloading / loading position.
- 3.2.10 **The back of the last piece of printing paper** used can act as the plain paper underlay on the table by interchanging after each operation thus ensuring the pressing pad cover remains clean.

3.3 Material Fusing

- 3.3.1 **When the press is to be used for fusing** of fusible interlinings/heat bonding etc. it is advisable to lay a piece of PTFE cover material onto the pressing pad, preferably of the same size as the pad to act as a base for fusing operation. The parts to be fused are then laid onto this cover.
- 3.3.2 **A further piece of PTFE cover material** is laid over the pressing pad covering the whole of the parts to be fused.
- 3.3.3 **The PTFE covers will then act as an anti-stick barrier** to prevent strike-through of any surplus adhesive from the fusible interlining/adhesive coated bonding material and so prevent any fouling of the heat plate and/or pressing pad during the fusing operation.

Approximate settings are usually within the following:-

110°C - 170°C (250°F - 340°F)	Heat Setting
5 - 30 seconds	Time Dwell Setting

The method of operation for fusing is the same as for transfer printing.

- 3.3.4 **Ensure heat controller/dwell timer/air** pressure is correctly set, as already described.
 - 3.3.5 **Pull out sliding table** to full extent.
 - 3.3.6 **Lay parts to be fused** onto the PTFE cover of the pressing pad (adhesive face down) into the required position and cover with further PTFE cover – as described above.
 - 3.3.7 **Push in sliding table slowly** to full extent ensuring that the materials are not displaced during this movement.
 - 3.3.8 **After pushing in the sliding table**, lower the front hinged
-

Material Fusing (cont.)

guard, using the two knobs provided. In the closed position the micro switches are made, the press will automatically lower the heat plate into the printing position for the set dwell-time, after which the heat plate will automatically rise to the 'up' position.

- 3.3.9 The guard flap is manually raised**, when the table may be withdrawn to the unloading / loading position.

3.4 Pressing Pad Assembly

This consists of the following:-

1. **Pressing Pad Base** - This fits into the well of the sliding table.
2. **Silicone Pressing Pad** - This lies on top of the pressing pad base.
3. **Pressing Pad Cover** - This is heat resistant "Nomex" material.

N.B. The pressing pad unit must be maintained in good condition at all times and replaced whenever showing signs of wear, with particular attention being given to the pressing pad base.

A worn pressing pad will always affect the quality of the transfer printing/fusing.

Pressing pad protection – the sliding table should always be withdrawn to the full extent outside the press when not in operation to protect the pressing pad from the constant heat of the heat plate.

It is particularly important that the sliding table be withdrawn at the end of the working period as should the air supply to the press be cut off, the hot heat plate will eventually descend under its own weight and rest on the pressing pad and may damage it.

3.5 Shutting Down the Machine

To shut down the machine when a cycle is finished, turn off at the main switch at the rear of the machine.

To shut down in an emergency, press the red button on the left hand side of the machine. If the emergency stop button is actuated, it will need to be unlocked by turning it anticlockwise before the machine will run again.

3.6 Hints and Tips

Transfer Printing

Extra care should always be taken to ensure that transfer paper is placed print down onto the article, as mistakes will result in the heat plate becoming soiled with ink and spoiling following work.

When transfer printing, it may be found advantageous to cover the press pad with paper to prevent strike-through of surplus ink, particularly when printing thin material as surplus print on the pressing pad cover can also strike back on the following work.

Transfer Paper/Motifs Fail to Print Out Correctly

Check:-

1. **Heat and time** dwell settings are correct.
2. **Article** having transfer applied is locked in contact between pressing pad and heat plate.
3. **Pressing pad** is in good condition, is flat and making complete contact over the whole area of the heat plate. See Pressing Pad details.

Fading of print across width

Check:-

1. **Heating elements** – that one of the 3 elements has not failed (by qualified electrician).
2. **Condition of** pressing pad unit.

“Ghosting” (Double Image) of Transfer Prints

Check:-

1. **Material being used** has been correctly heat set for transfer printing.
2. **Material being used** does not shrink during printing process, i.e. measure material before and after printing.
3. **Transfer paper** does not move after printing process upon lift off of the heat plate.
4. **If possible**, use adhesive coated paper, particularly to overcome fabric shrinkage.
5. **By pre-shrinking** of material in press before transfer printing.

4. Maintenance of the Machine

For good press results it is important to keep the press surfaces clean. Wipe the surface of the heat plate with a dry non-abrasive cloth before use when the plate is cold.

When the heat plate is hot and not in use, keep in the open position away from the silicone pad.

4.1 Daily Maintenance

The heat plate should be examined and cleaned on a daily basis as required.

CAUTION:

Before attempting to clean the heat plate ensure that the machine is isolated from the power supply and that the heat plate is cool.

Note: it may take several hours for the heat plate to cool to handling temperature.

4.2 Weekly Maintenance

CHECK:-

- a) Pressing pad cover.
- b) Silicone pressing pad.
- c) Pressing pad base.

Replace as necessary.

Note: If print quality deteriorates it may be necessary to change the silicone pressing pad and pressing pad base.

4.3 Cleaning

First unplug the machine. Clean the outside of the machine frequently with a clean, moist cloth. This may conveniently be carried out when the machine is cold.

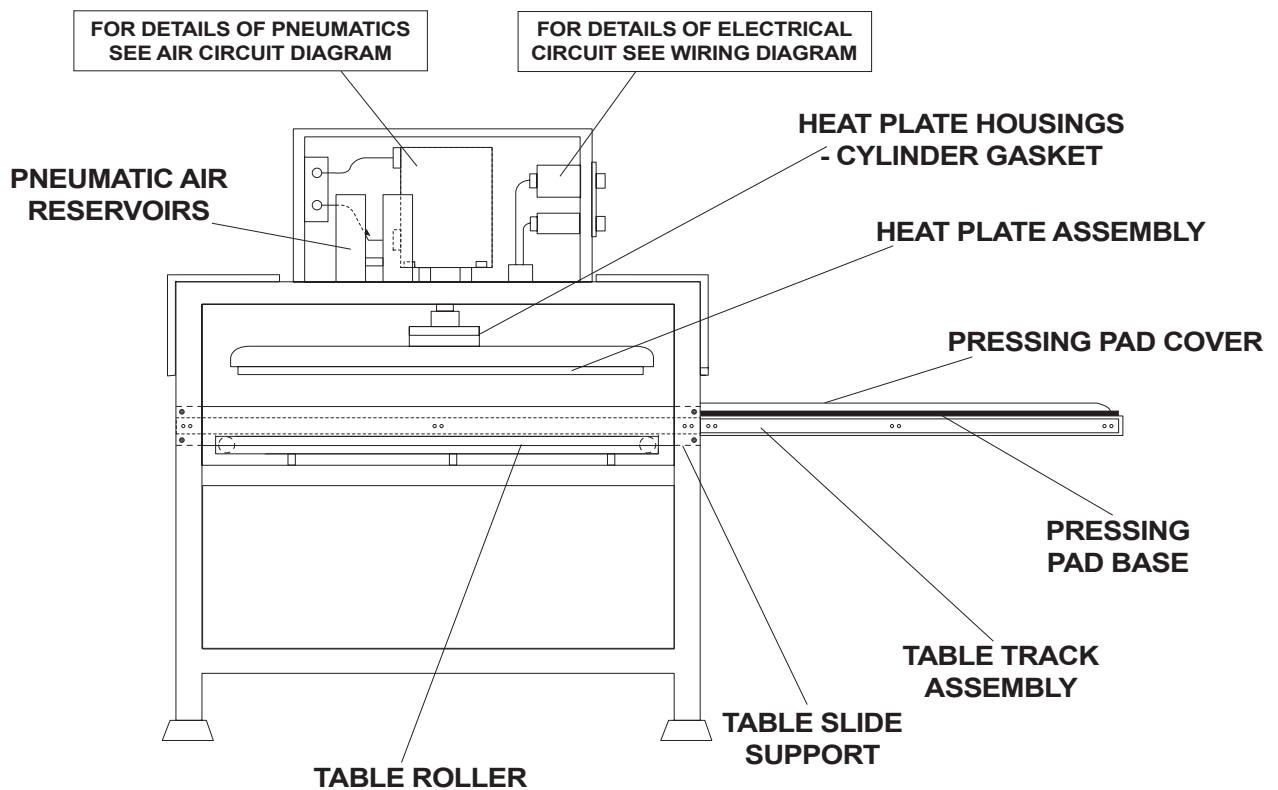
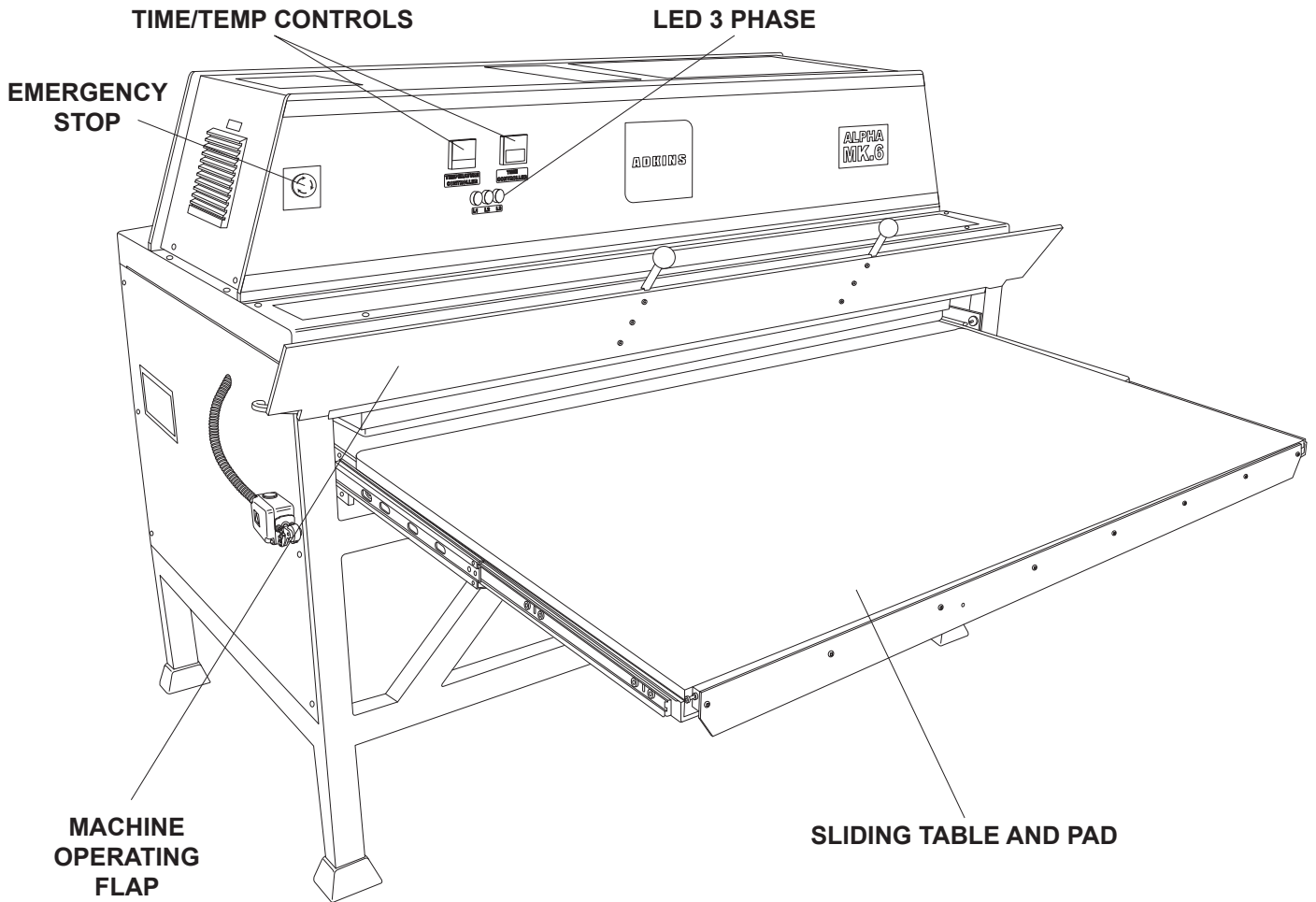
To prevent soiling of substrate, periodic wiping of entire exterior machine, including platens, with a clean rag is recommended. If necessary, use mineral spirits for cleaning a **cold** machine. Since mineral spirits are flammable, use precautions at all times and keep away from sparks, flames or hot heat platen.

5. Machine Drawings and Diagrams

On the following pages are the schematic diagrams for the Alpha Mk. 6 Press.

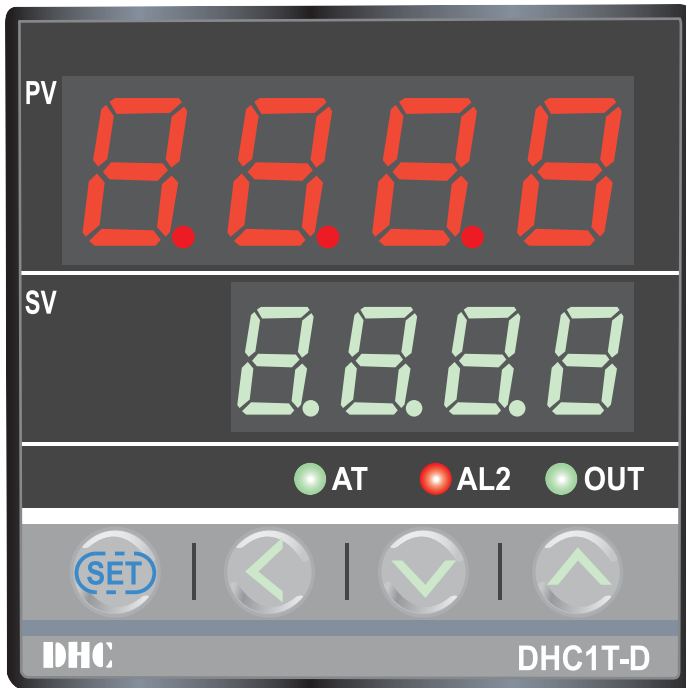
5.1	General Layout.....	Page 16
5.2	Control Unit – Operation.....	Page 17
5.3	Exploded Diagram and Parts List.....	Page 18
5.4	Electrical Diagram.....	Page 19
5.5	Pneumatic Schematic.....	Page 20
5.6	Machine Block Diagram.....	Page 21

5.1 General Layout of the Alpha Mk.6 Transfer Press



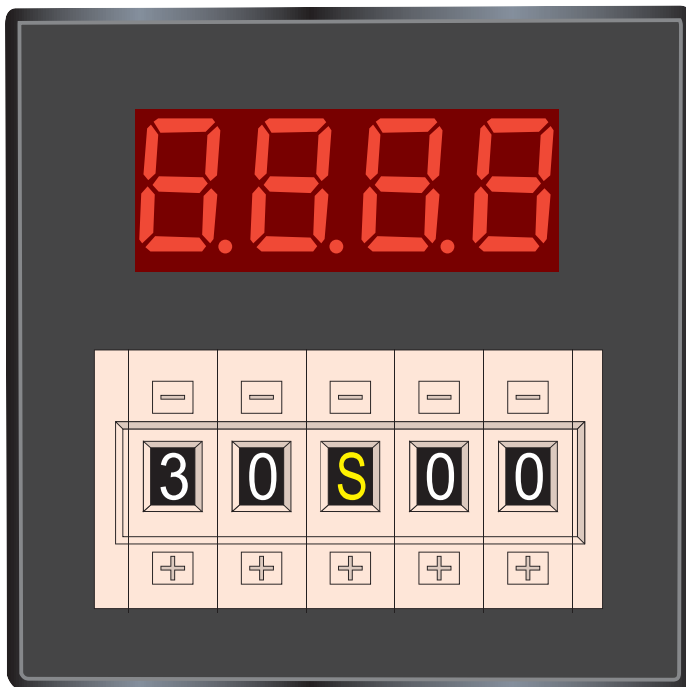
5.2 Operation of Control Units, Setting Time and Temperature

(The heat plate must always be in the up position before the controllers are set)



Setting Temperature

1. Switch on Press; Time and Temp indicators will light up.
2. Press 'SET' key for less than one second.
3. Use '<' to move to desired digit.
4. Use '^' and 'v' keys to alter 'SV' value.
5. Press 'SET' key for less than one second. Display will return to normal.

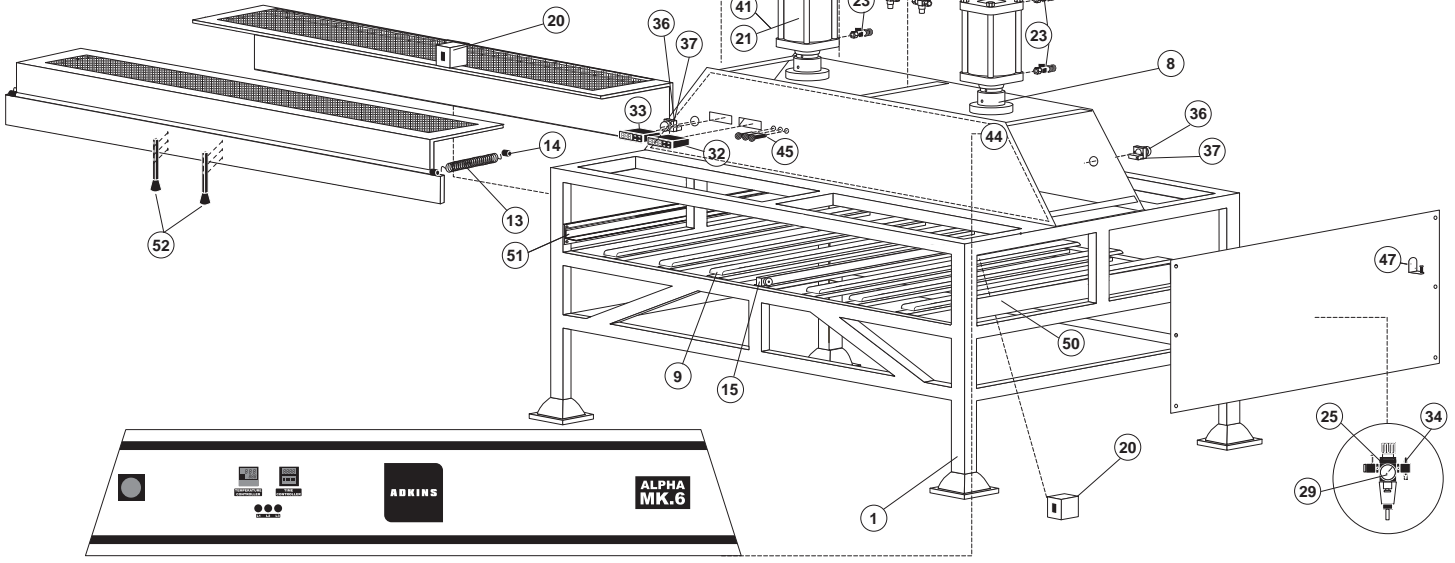
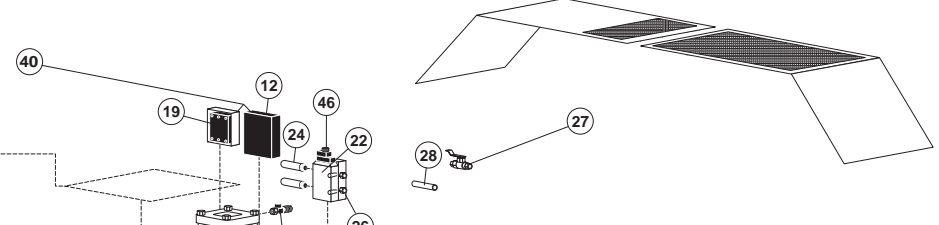
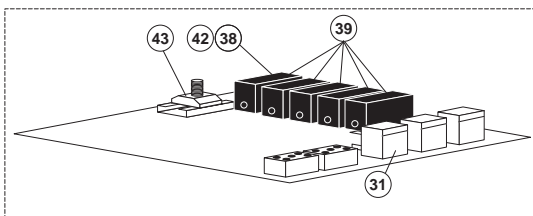
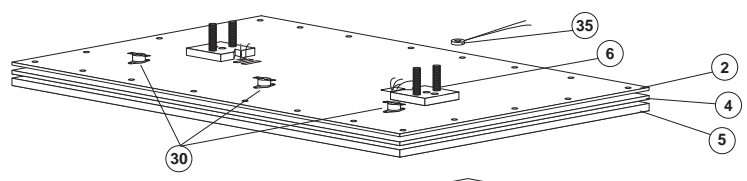
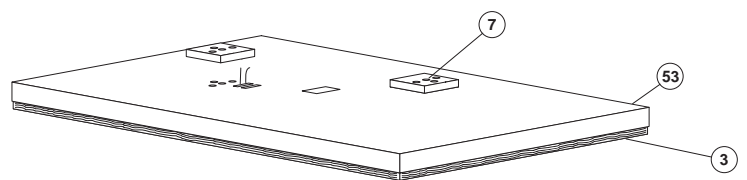
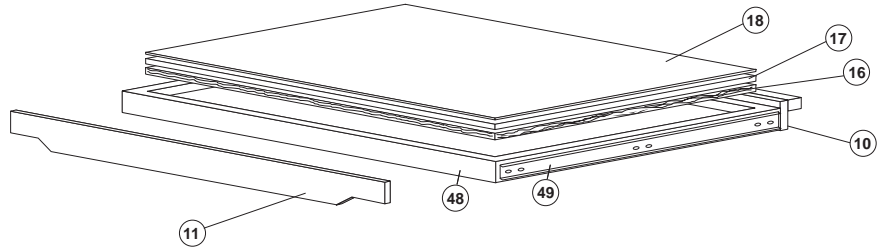


Setting Time

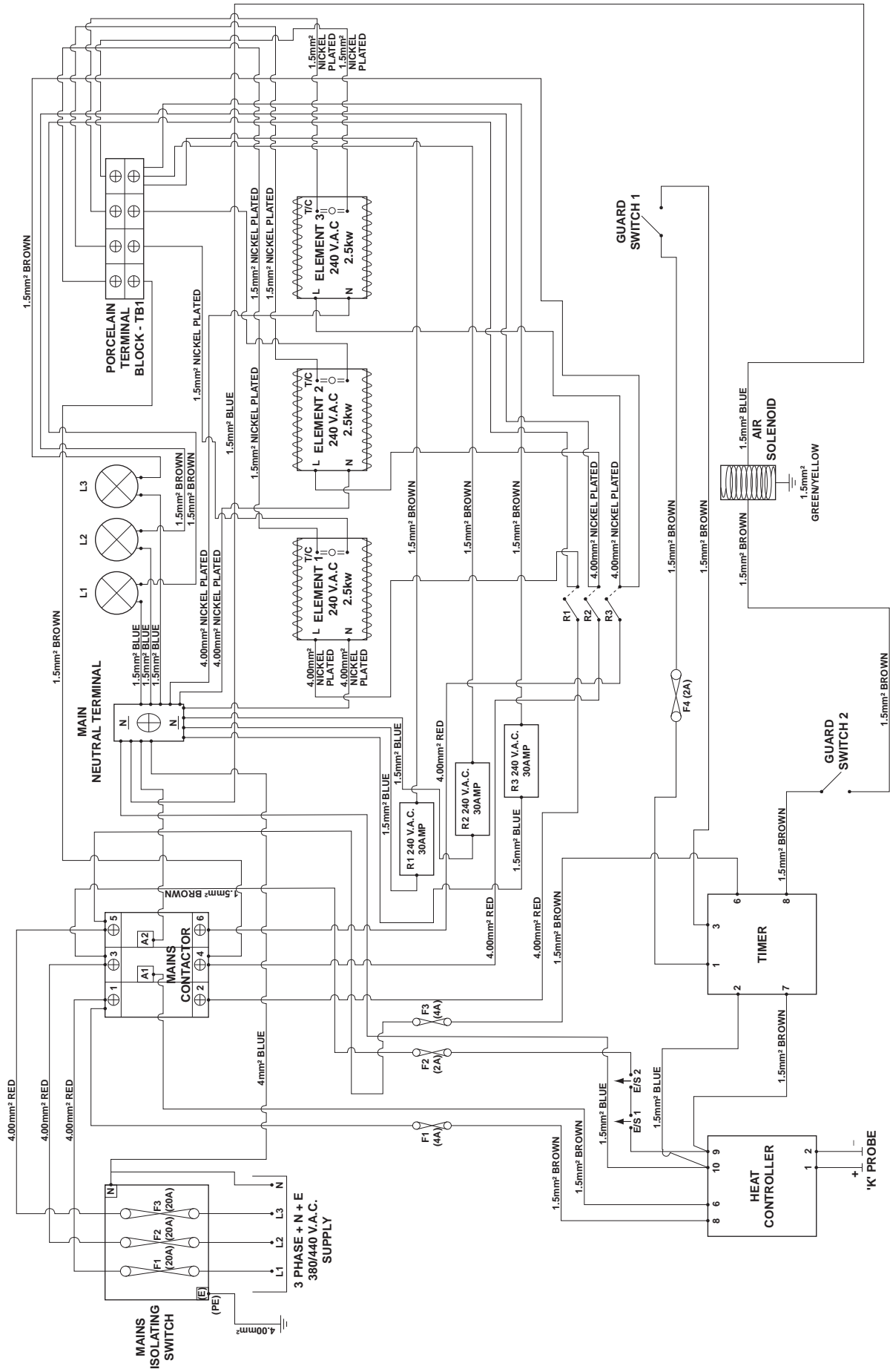
1. Switch on Press; Time and Temp indicators will light up.
2. Use push buttons to set desired time. Set time is displayed in red.
3. Increments can be changed to seconds minutes or hours.
4. On activation timer counts down to zero with auto reset.
Note: If timed cycle is interrupted by lifting guard, machine heat plate will lift but timer will continue to count down.
5. To reset timer in this case push 'EMERGENCY STOP' and reset.

5.3 Exploded Diagram and Parts List

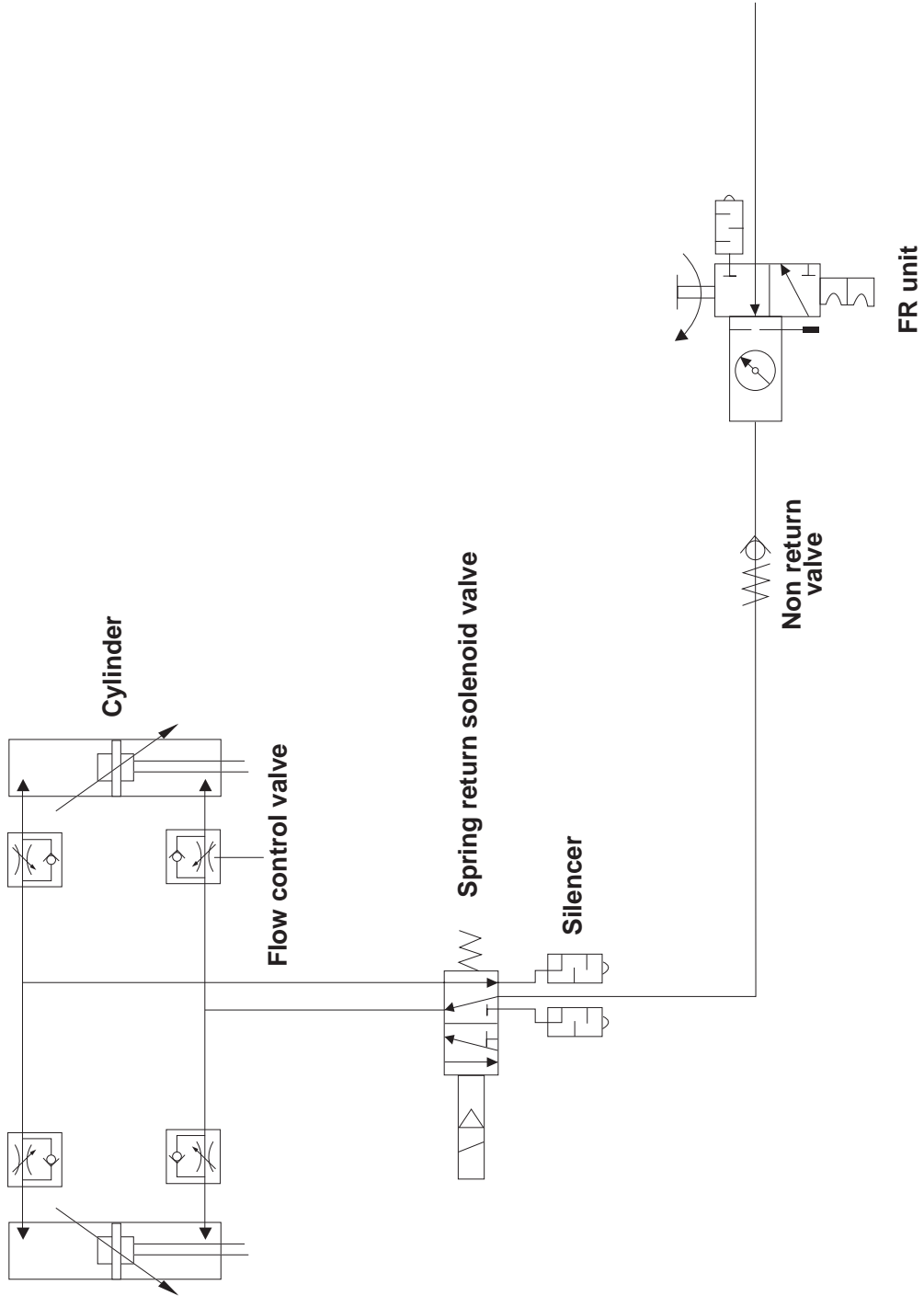
No.	PART DESCRIPTION	PART No.	QTY.
1	MK6 FRAME SET	FP601	1
2	ELEMENT CLAMP PLATE	FP612	1
3	ROCKWOOL	BM228	12
4	2.5 KW ELEMENT 230 VAC	FP668	SET OF 3
5	HEAT PLATE	FP614	1
6	HEAT PLATE GASKETS	FP615	2
7	CYLINDER GASKETS	FP616	2
8	HEAT PLATE HOUSING	FP618	2
9	TABLE SUPPORT BAR	FP621/F621	6+1
10	TABLE	FP623	2
11	TABLE HANDLE	FP625	1
12	MEM SWITCH FUSE BOX	FP669	1
13	GUARD SPRING	FP633	2
14	SPRING POST	FP634	4
15	TABLE ROLLER	FP612	1
16	PRESSING PAD BASE	FP627	1
17	SILICONE PRESSING PAD	FP628	1
18	PRESSING PAD COVER	FP629/A	1
19	S.S.R. 40 AMP (3 PHASE)	DCC29	1
20	MAGNETIC SWITCH	FP647	2
21	CYLINDER	FP650	2
22	ISO VALVE	FP3040	1
23	FLOW REGULATOR	FP3036	4
25	AIR REGULATOR	FP3045	1
26	SUB BASE	FP3041	1
27	BALL VALVE	FP3043	1
28	NON RETURN VALVE	FP3044	1
29	MINI PRESSURE GAUGE	FP3048	1
30	THERMAL CUTOUT	BM338	3
31	S.S.R. 25 AMP (SINGLE PHASE)	DCC28	1
32	TIME CONTROLLER	FP3055	1
33	TEMPERATURE CONTROLLER	FP3056	1
34	SHUT OFF VALVE	FP3125	1
35	PROBE	FP3057	1
36	EMERGENCY STOP BUTTON	AM368	2
37	CONTACT BLOCK	AM341	2
38	NSD 4 FUSE 4 AMP F4, F5,	F7 FP645A	3
39	FUSE HOLDER	FP645	5
40	32 FUSE F1, F2, F3	FUSEMEN SB 332AMP	3
41	CYLINDER SEAL	XMS1	SET OF 2
42	1 AMP FUSE (F6)	TW216	1
43	STUD TERMINAL / K5T6	FP665	1
44	GRAPHICS	FP667	1
45	NEON INDICATOR LAMP	FP3052	3
46	SOLENOID CONN. PLUG	FP3082	1
47	FIRE EXTINGUISHER BRACKET	FP674	2
48	TABLE F+B SUPPORT	FP682	2
49	TABLE SLIDE SUPPORT	FP681	2
50	TABLE SLIDE MOUNTING RH	FP680	1
51	TABLE SLIDE MOUNTING LH	FP680	1
52	GUARD HANDLE KNOBS	FP632	2
53	INSULATION COVER	FP611	1



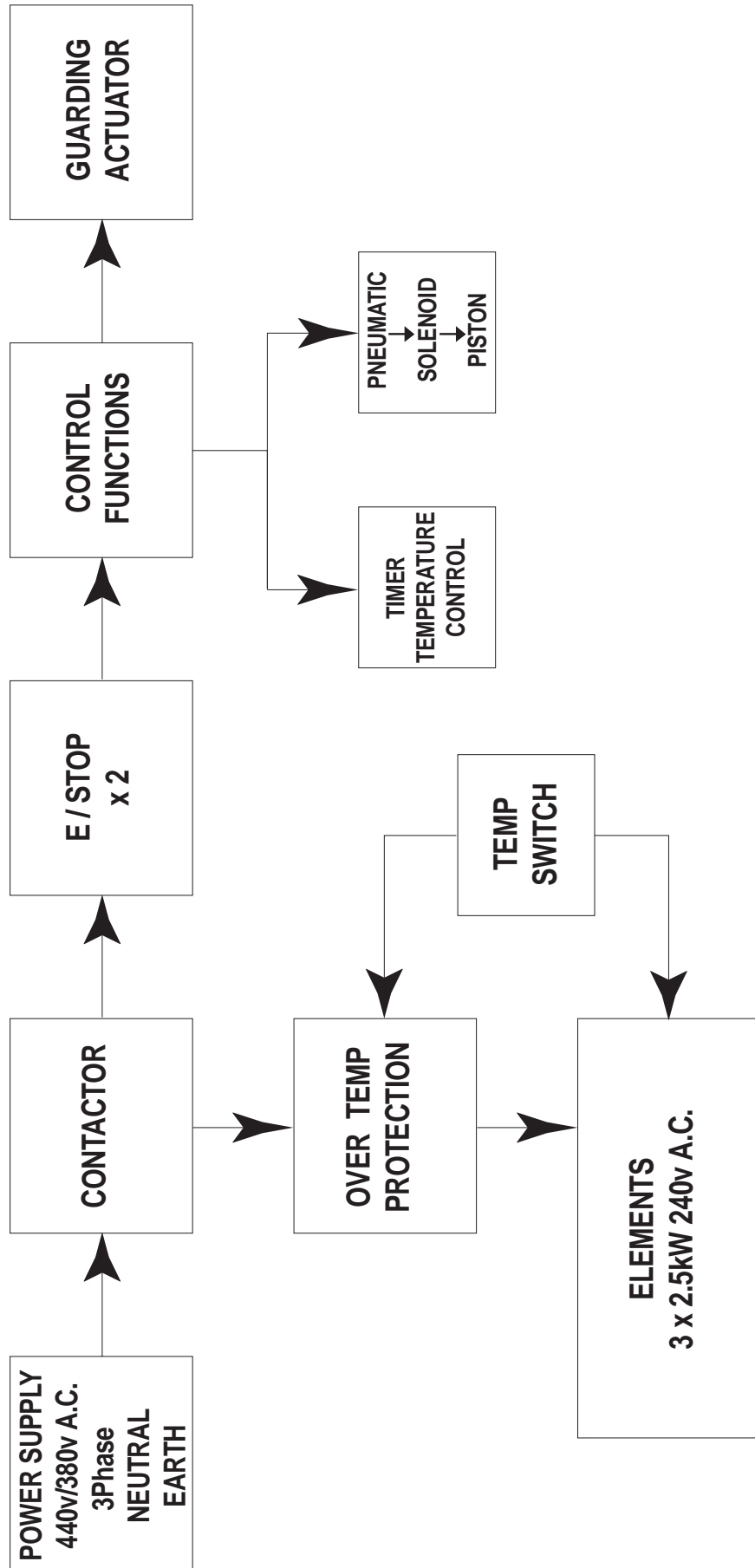
5.4 Electrical Diagram



5.5 Pneumatic Schematic



5.6 Machine Block Diagram



6. Design Change

With the policy of constant improvement and/or modification to meet changing conditions, the right is reserved to change the design and/or specifications at any time without prior notification, and therefore specifications may vary and not be in accordance with this manual.

7. Guarantee (Limited Warranty)

A. Adkins & Sons Limited warrants that the press is free from defects in material and workmanship for a period of 12 months from the date of supply. The machine comes with a lifetime warranty on the heating element, one year warranty on parts and 90 days labour.

This warranty covers all parts to repair the defects, except when damage results from misuse or abuse, accident, alteration or negligence or when a machine has been improperly installed.

If a press covered by warranty should need to be returned to the factory for examination and repair, if on-site component replacement is not possible, A. Adkins & Sons Limited will make every effort to repair the customers press. The warranty will only be effective when A Adkins & Sons Limited authorises the original purchaser to return the machine to the factory and only when the product upon examination has proven to be defective.

Should in our opinion any part of this press be defective in materials or workmanship, it will be replaced or repaired free of charge, provided that the press has been installed and operated in the correct manner and not subjected to misuse. If A. Adkins & Sons Limited authorise a replacement press, the warranty of the replacement press shall expire on the anniversary date of the original machines invoice to the customer.

In order for this warranty to be effective, no return of machine or parts may be made without prior factory authorisation. (This will exclude any travelling and/or carriage costs which will be charged at our discretion).

This is the sole warranty given by the company; there are no warranties, which extend beyond the description on the face hereof. The seller disclaims any implied warranty of merchantability and/or any implied warranty of fitness for a particular purpose; the buyer agrees that the goods are sold "as is". A. Adkins & Sons Limited does not warrant that the functions of the press will meet the customer's requirements or expectations. The entire risk as to use, quality and performance of the press lies with the customer. (No claim of any kind shall be greater than the sale price of the product or part to which the claim is made).

In no event will A. Adkins & Sons Limited be liable for any injury, loss or damage, including loss of profits, destruction of goods or any special, incidental, consequential or indirect damages arising from the use of the press or accompanying materials. This limitation will apply even if A. Adkins & Sons Limited or its authorised agent had been advised of the possibility of such damage.


A. ADKINS & SONS LIMITED
DECLARATION OF CONFORMITY



<p>Application of Council Directives:</p> <p>Standards to which Conformity is Declared:</p> <p>Manufacturer's Name:</p> <p>Manufacturer's Address:</p> <p>Type of Equipment:</p> <p>Model Number:</p> <p>Serial Number:</p> <p>Year of Manufacture:</p>	<p>Machinery, Low Voltage. E.M.C.</p> <p><u>BS EN ISO 12100-1:2003+A1:2009</u> - Safety of machinery: Basic Technology. <u>BS EN ISO 12100-2:2003</u> - Safety of machinery: Principles of Design. <u>BS EN 60204-1:2006</u> - Safety of machinery: Electrical Equipment of Machines. <u>BS EN 60529:1992</u> - Degrees of protection provided by enclosures. <u>BS EN ISO 13850:2008</u> - Safety of machinery: Emergency Stops. <u>BS EN ISO 141211:2007</u> - Safety of machinery: Principles for Risk Assessment. <u>BS EN 55011:1998</u> - Class A Group 2 equipment - EMC Emissions. <u>BS EN ISO 61000-6-4:2007</u> - EMC Conducted Emissions. <u>BS EN ISO 61000-6-2:2005</u> - EMC Immunity.</p> <p><u>A. Adkins & Sons Limited</u></p> <p>High Cross, 18 Lancaster Road, Hinckley, Leicester, LE10 0AW, United Kingdom.</p> <p>Alpha Range: Alpha Mk.6, Alpha Mk.10, Alpha Mk.30</p> <p>Beta Range: Beta Maxi, Beta Mini, Beta Cap, Beta Pocket, Beta Combo, Beta Swift, Beta Mug Press, Beta Major, Beta Linear</p> <p>Studio Collection: Studio Clam, Studio Mini Clam, Studio 'EZ'-Clam, Studio Large Format Clam, Studio Auto Clam Senior, Studio Auto Clam Junior, Studio 'EZ'-Auto Clam, Studio Twin Table Clam, Studio Cap, Studio Cap/Pocket Combo, Studio Mug Press, Studio Twin Mug Press, Studio Multi Mug Press, Studio Plate Press, Studio Versa Press</p> <p>Omega Range: Omega 1000 Press, Omega 500 Press</p> <p>.....</p> <p>.....</p> <p>.....</p>
---------------------------------------------------------------------------------------------------------------------------------------------------------------------------------------------------------------------------------------------------------	--------------------------------------------------------------------------------------------------------------------------------------------------------------------------------------------------------------------------------------------------------------------------------------------------------------------------------------------------------------------------------------------------------------------------------------------------------------------------------------------------------------------------------------------------------------------------------------------------------------------------------------------------------------------------------------------------------------------------------------------------------------------------------------------------------------------------------------------------------------------------------------------------------------------------------------------------------------------------------------------------------------------------------------------------------------------------------------------------------------------------------------------------------------------------------------------------------------------------------------------------------------------------------------------------------------------------------------------------------------------------------------------------------------------------------------------------------------------------------------------------------------------------------------------------------------------------------------------------------------------------------------------------------------------------------

I, the undersigned, hereby declare that the equipment specified above conforms to the above Directives and Standards.

Place: Hinckley, United Kingdom

Signature: 

Date:

Full Name: Marie McMahon
Position: General Manager